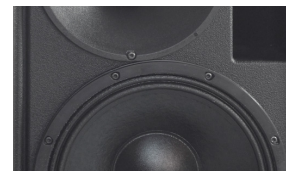




Multifunktionales 12"/1" System mit besonders ausgewogener Klangwiedergabe. Gute Eignung als hochwertiger Fullrange/HiMid Lautsprecher und als universeller Monitor. Das drehbare 1" DCP (= Dual Pattern Circular Horn) sorgt für eine konstante 90° x 60° Abstrahlung über einen breiten Frequenzbereich. Diverse M8 und M10 Aufnahmepunkte sorgen für die einfache Montage des Zubehörs. Auch als Festinstallationsvariante lieferbar.

PRODUCT SPECIFICATIONS

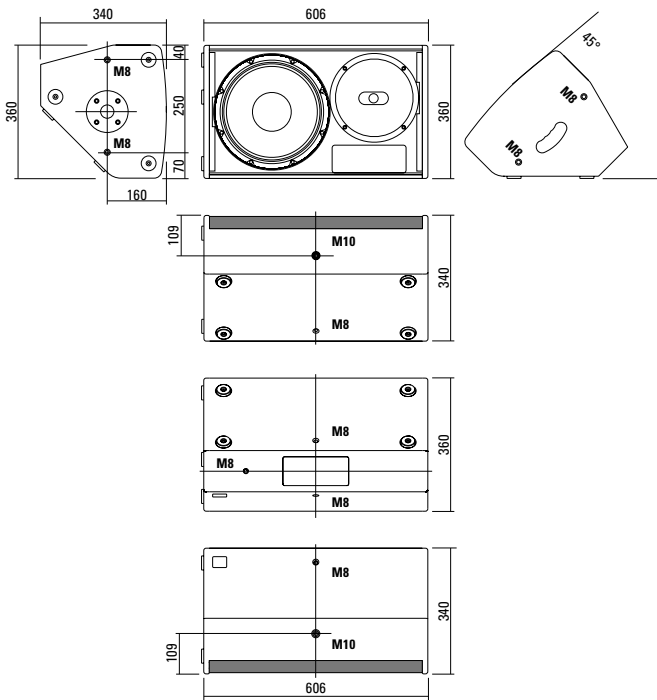
Speaker Components	12" Nd / 1"
Description	Multi Purpose Sound System
Power AES / Peak	500 W / 1500 W
Impedance nominal	8 Ω
SPL 1 W / Peak @ 1 m	99 dB / 131 dB
Usable Range	60 Hz - 20 kHz (-6 dB)
Tuning Frequency excursion minimum	60 Hz
X - Overpoint acoustical	1,3 kHz
Coverage horizontal / vertical	90° x 60°- rotatable
Max. Splay Angle	- - -
Connectors	2 x Neutrik Speakon NL4MP in/out Coding: 1 +/- HiMid, 2 +/- loop thru
Handles	1 x
Rigging / Fittings	2 x M10 / 7 x M8 35 mm pole mount
Weight	17 kg
Size height x width x depth	60,6 x 36,0 x 34,0 cm
Order No.	00260/II 00260/AF/II (installation version)



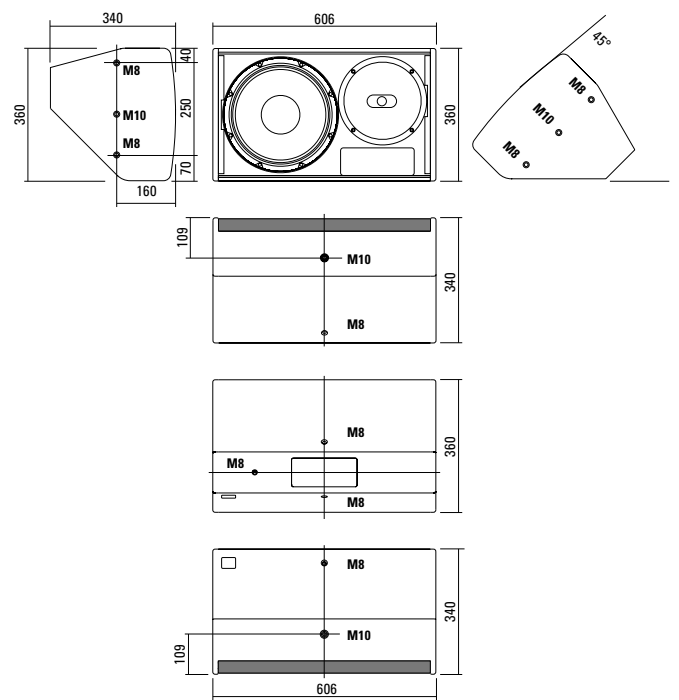
Neodym 12" Lautsprecher mit wasserabweisender Membranbeschichtung.



DIMENSIONS



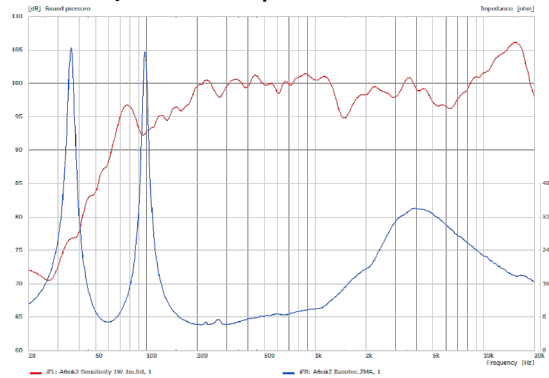
Installation Version AF 6



Controller Setups:

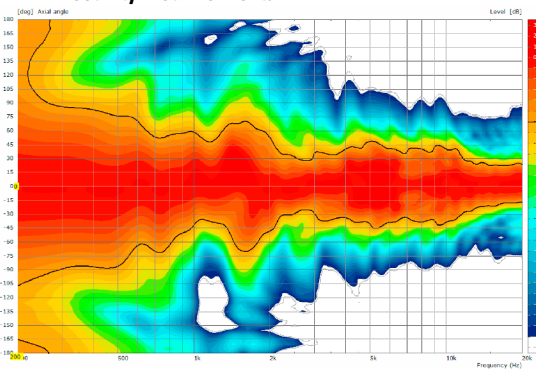
<https://www.seeburg.com/de/downloads>

Sensitivity 1 W @ 1 m + Impedance

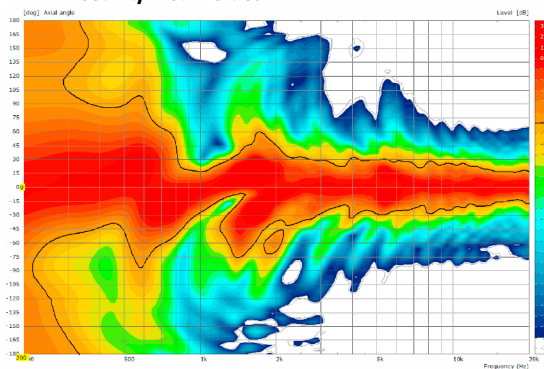


COVERAGE PATTERNS

2D Directivity Plot - horizontal



2D Directivity Plot - vertical



Flying Bracket



for A 6 / A 6 dp / TSM 12
incl. (black version: 2 x M10 x 30
adjustable handle screws
white version: 2 x M10 x 20
socket head screws)

Order No. **01216/set/w** (RAL 9010)
Order No. **01216/set**

Flying Bracket



for A 6 / A 6 dp / TSM 12
horizontal alignment,
incl. accessories

Order No. **01216/H/set/w** (RAL 9010)
Order No. **01216/H/set**

Flying Bracket



for AF 6 horizontal alignment,
incl. (2 x M10 x 20 socket head
screws, 2 x rubber washers)

Order No. **01216/H/AF/w** (RAL 9010)
Order No. **01216/H/AF**

Handle Screw



for flying brackets, adjustable
M10 x 30

Order No. **08375/30**

Rubber Washer



for flying brackets,
5 mm x 40 mm Ø

Order No. **01206**

Flange



35 mm Ø → M10 x 16 mm,
M8 x 20 star knob screw

Order No. **08126**

Doughty Quick Trigger Clamp



max. load 250 kg

Order No. **01223**

Steel Safety



6 mm x 600 mm, black,
max. load 22 kg (BGI 810-3),
quick connector undetachably

Order No. **01376/6**

Ring Screw



M10– DIN 580

Order No. **73700** (zincd)

Order No. **73700/sw** (black zincd)

TV Spigot



10 mm internal thread,
28 mm Ø

Order No. **08128**

Chain Fastener



VBS 7 mm

Order No. **01378**

ACCESSORIES A 6

Wall Mount



for U-brackets, max. load 40 kg,
incl. (M10 x 70 mm socket head screw,
M10 hex lock nut and flat washer)

for 8"-12" speakers

Order No. **08130/F/269/w** (RAL 9010)

Order No. **08130/F/269**

Wall Mount



with tilt unit, max. load 40 kg

Order No. **08130**

Speaker Stand



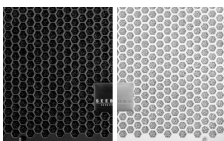
K&M, incl. wind up,
height 138,5 to 218 cm,
max. load 50 kg,

Order No. **03011**

K&M, height 137,5 to 218,5 cm,
max. load 50 kg,

Order No. **03010**

Honeycomb Grilles

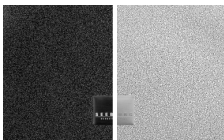


for A 6 front replacement.

Foam behind grille

Order No. **97010/hex/compl**

Order No. **97010/hex/compl/w**
(RAL 9010)



Foam in front of grille

Order No. **97010/compl.**

Order No. **97010/compl/w**
(RAL 9010)

Cover



for A 6 / A 6 dp / TSM 12,
padded

Order No. **01244**

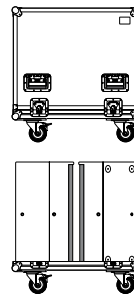
Rain Cover



for A 6 / A 6 dp / TSM 12

Order No. **01244/outdoor**

Flight Case



for 2 pcs. TSM 12 / A 6
heavy duty, 9 mm birch multiplex, PVC
coated, 6 x recessed sprung handles,
4 x butterfly catches, 4 x 100 mm blue
wheels, 2 pcs. with brake, partition
walls, interior lined with felt.

Order No. **16010 P**

